

# Product data sheet

## Characteristics

# XS4P18PB340D

Inductive proximity sensors XS, inductive sensor XS4 M18, L48mm, PPS, Sn8mm, 12...24 VDC, M12



Product availability: Non-Stock - Not normally stocked in distribution facility

Price\*: 82.52 USD



### Main

|                                    |   |
|------------------------------------|---|
| Range of product                   | Telemecanique Inductive proximity sensors XS            |
| Series name                        | General purpose   |
| Sensor type                        | Inductive proximity sensor                              |
| Sensor name                        | XS4   |
| Sensor design                      | Cylindrical M18   |
| Size                               | 48 mm   |
| Body type                          | Fixed   |
| Detector flush mounting acceptance | Non flush mountable                                     |
| Material                           | Plastic   |
| Type of output signal              | Discrete  |
| Wiring technique                   | 3-wire  |
| [Sn] nominal sensing distance      | 0.31 In (8 mm)  |
| Discrete output function           | 1 NC  |
| Output circuit type                | DC  |
| Discrete output type               | PNP   |
| Electrical connection              | Male connector M12, 4 pins                              |
| [Us] rated supply voltage          | 12...24 V DC reverse polarity protection                |
| Switching capacity in mA           | <= 200 mA DC with overload and short-circuit protection |
| IP degree of protection            | IP67 conforming to IEC 60529                            |

### Complementary

|                     |                              |
|---------------------|------------------------------|
| Thread type         | M18 x 1                      |
| Detection face      | Frontal                      |
| Front material      | PPS                          |
| Enclosure material  | PPS                          |
| Operating zone      | 0.00...0.25 In (0...6.4 mm)  |
| Differential travel | 1...15% of Sr                |
| Status LED          | Output state: 1 LED (yellow) |

|                        |                  |
|------------------------|------------------|
| Supply voltage limits  | 10...36 V DC     |
| Switching frequency    | <= 2000 Hz       |
| Maximum voltage drop   | <2 V (closed)    |
| Current consumption    | <= 10 mA no-load |
| Maximum delay first up | 10 Ms            |
| Maximum delay response | 0.15 Ms          |
| Maximum delay recovery | 0.35 Ms          |
| Marking                | CE               |
| Threaded length        | 1.14 ln (29 mm)  |
| Height                 | 0.71 ln (18 mm)  |
| Length                 | 1.89 ln (48 mm)  |

## Environment

|                                       |   |
|---------------------------------------|---|
| Product certifications                | UL<br>CSA                               |
| Ambient air temperature for operation | -13...158 °F (-25...70 °C)              |
| Ambient air temperature for storage   | -40...185 °F (-40...85 °C)              |
| Vibration resistance                  | 25 gn +/- 2 mm 10...55 Hz)IEC 60068-2-6 |
| Shock resistance                      | 50 gn 11 ms IEC 60068-2-27              |

## Ordering and shipping details

|                       |                            |
|-----------------------|----------------------------|
| Category              | 22486 - SENSORS, PROXIMITY |
| Discount Schedule     | DS2                        |
| GTIN                  | 03389110926941             |
| Nbr. of units in pkg. | 1                          |
| Package weight(Lbs)   | 1.27 Oz (36 g)             |
| Returnability         | No                         |
| Country of origin     | FR                         |

## Packing Units

|                              |                        |
|------------------------------|------------------------|
| Unit Type of Package 1       | PCE                    |
| Package 1 Height             | 1.77 ln (4.5 cm)       |
| Package 1 width              | 2.83 ln (7.2 cm)       |
| Package 1 Length             | 3.74 ln (9.5 cm)       |
| Unit Type of Package 2       | BAG                    |
| Number of Units in Package 2 | 1                      |
| Package 2 Weight             | 1.27 Oz (36 g)         |
| Package 2 Height             | 0.71 ln (1.8 cm)       |
| Package 2 width              | 7.87 ln (20 cm)        |
| Package 2 Length             | 5.91 ln (15 cm)        |
| Unit Type of Package 3       | S02                    |
| Number of Units in Package 3 | 44                     |
| Package 3 Weight             | 4.50 Lb(US) (2.039 kg) |
| Package 3 Height             | 5.91 ln (15 cm)        |
| Package 3 width              | 11.81 ln (30 cm)       |
| Package 3 Length             | 15.75 ln (40 cm)       |

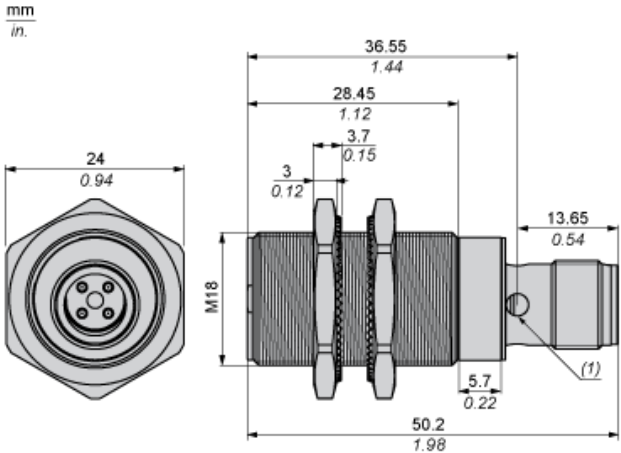
## Offer Sustainability

|                            |  |
|----------------------------|--|
| Sustainable offer status   | Green Premium product  |
| California proposition 65  | WARNING: This product can expose you to chemicals including: Diisononyl phthalate (DINP), which is known to the State of California to cause cancer, and Diisodecyl phthalate (DIDP), which is known to the State of California to cause birth defects or other reproductive harm. For more information go to <a href="http://www.P65Warnings.ca.gov">www.P65Warnings.ca.gov</a> |
| REACH Regulation           | <a href="#">REACH Declaration</a>  |
| EU RoHS Directive          | Pro-active compliance (Product out of EU RoHS legal scope) <a href="#">EU RoHS Declaration</a>   |
| Mercury free               | Yes  |
| RoHS exemption information | <a href="#">Yes</a>  |
| Environmental Disclosure   | <a href="#">Product Environmental Profile</a>  |
| Circularity Profile        | <a href="#">End Of Life Information</a>  |

## Contractual warranty

|          |           |
|----------|-----------|
| Warranty | 18 months |
|----------|-----------|

Dimensions



(1) LED

---

Minimum Mounting Distances

---

Side by side



e (1)  $\geq$  32 mm/1.26 in.

Face to face



e (2)  $\geq$  6 mm/3.78 in.

Facing a metal object



e (3)  $\geq$  24 mm/0.94 in.

Mounted in a metal support



d  $\geq$  56 mm/2.20 in.

h  $\geq$  16 mm/0.63 in.

---

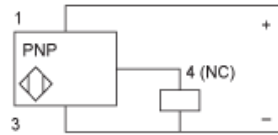
Wiring Schemes

---

M12 connector



PNP



Performance Curves

Standard Steel Target : 24x24x1 mm



- (1) Pick-up points
- (2) Drop-out points (object approaching from the side)
- (y) Sensing distance in mm

Product Life Status : **Commercialised**